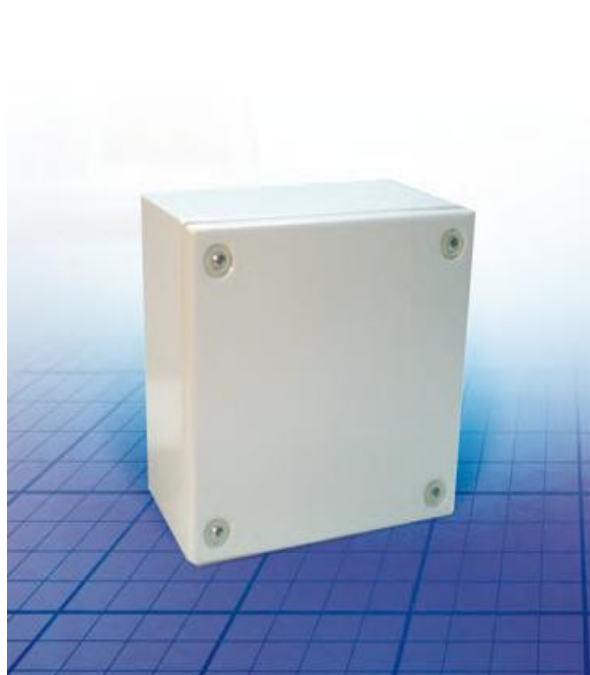


TECHNICAL SHEET



VENETO NEST a Brand of Eurolaser srl

SM STEEL TERMINAL BOX



Material : 1,2 mm mild steel.

Body : Folded and seam welded. Four 8,5mm diameter holes for wall fixing. Four M6x12 studs for Bottom Profiles/Mounting plate.

Gasket : Sealing is ensured by an injected one piece polyurethane gasket.

Earthing : Earthing studs M8x18 in body and cover , M8 nuts, earth washers and earth lables.

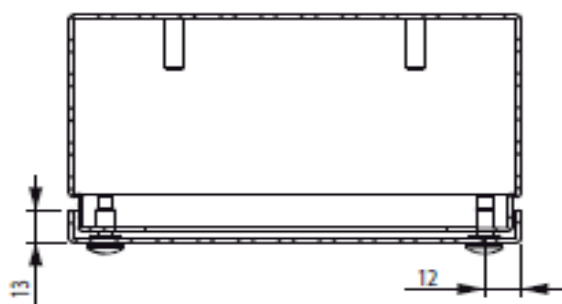
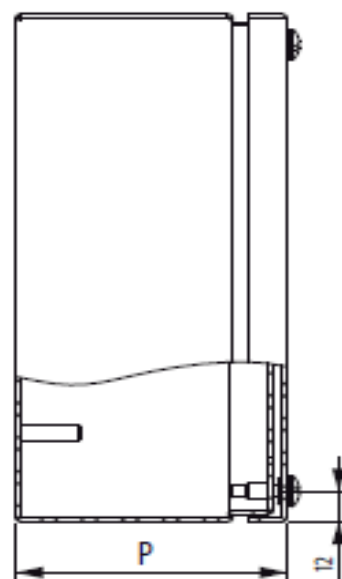
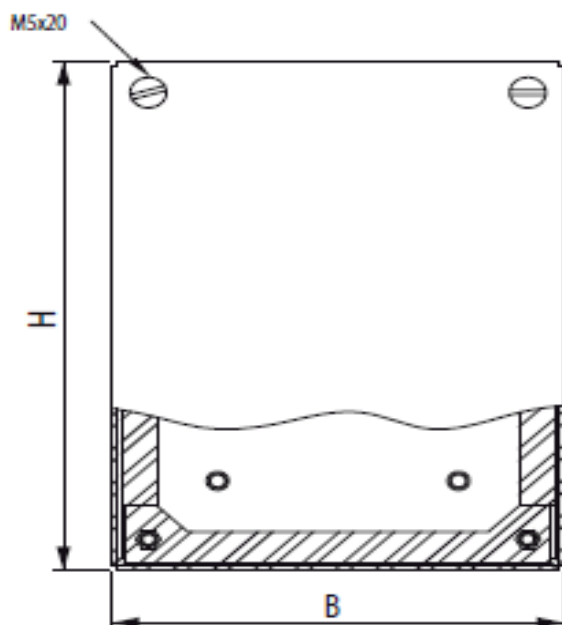
Finish : RAL 7035, structure powder coating.

Delivery : Base, cover, cover screws, fixing screws.

ENCLOSURE SERIE : SM	DIMENSION			
CODE	B mm	Hmm	Pmm	Note
SM 10 10 9	100	100	90	
SM 15 30 11	150	300	110	
SM 20 30 12	200	300	120	
SM 30 40 12	300	400	120	
SM 20 30 15	200	300	150	
SM 30 40 15	300	400	150	
SM 40 30 15	400	300	150	



TECHNICAL SHEET



PIASTRA INTERNA
B - 40mm
H - 40mm

PROFONDITA UTILE
P - 6mm

UTILE COPERCHIO
B - 30mm
H - 30mm



Via A. De Curtis, 3 - Due Carrare (PADOVA) - ITALY
Tel. +39 049.91.26.145 Fax. +39 049.91.29.427
E-mail : info@eurolasergroup.eu